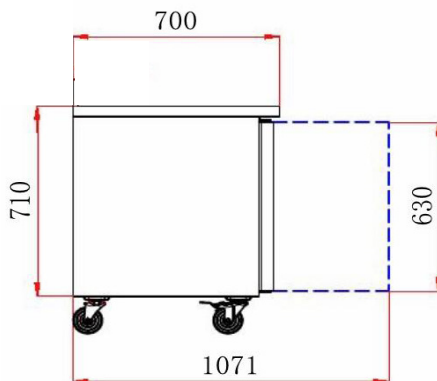
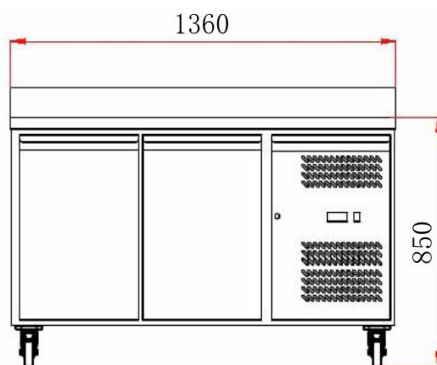




## CONSTRUCTION FEATURES

- Easy access frozen storage
- All stainless construction
- Gastronorm interior
- Ventilated freezer
- Energy saving
- Auto doors closing
- Digital controller
- 2 Shelves included
- Fitted castors
- Insulation wall 60 mm

## MEASUREMENTS



## TECHNICAL SPECIFICATION

Model	HFC 280 Freezer
Dimensions	W1360 x D700 x H850
Capacity	282 Litres
Shelves	2
Temperature	-18°C to -22°C
Compressor	CUBIGEL
Refrigerant	R290
Energy Class	D
Power	13 Amp Plug-in
Nett Weight	107 Kg.

## REFRIGERATION SYSTEM

- Refrigeration system uses R290 refrigerant to comply with up to date environmental law
- Automatic defrost
- The system is regulated and programmable by a Dixell electronic controller